

## Cased/Uncased Coils For Gas And Oil Furnaces



(TXV Metering Device Shown)

### RCF- Series

featuring Industry Standard R-410A  
Refrigerant  
Airflow Capacity  
600-1,900 CFM [283-897 L/s]

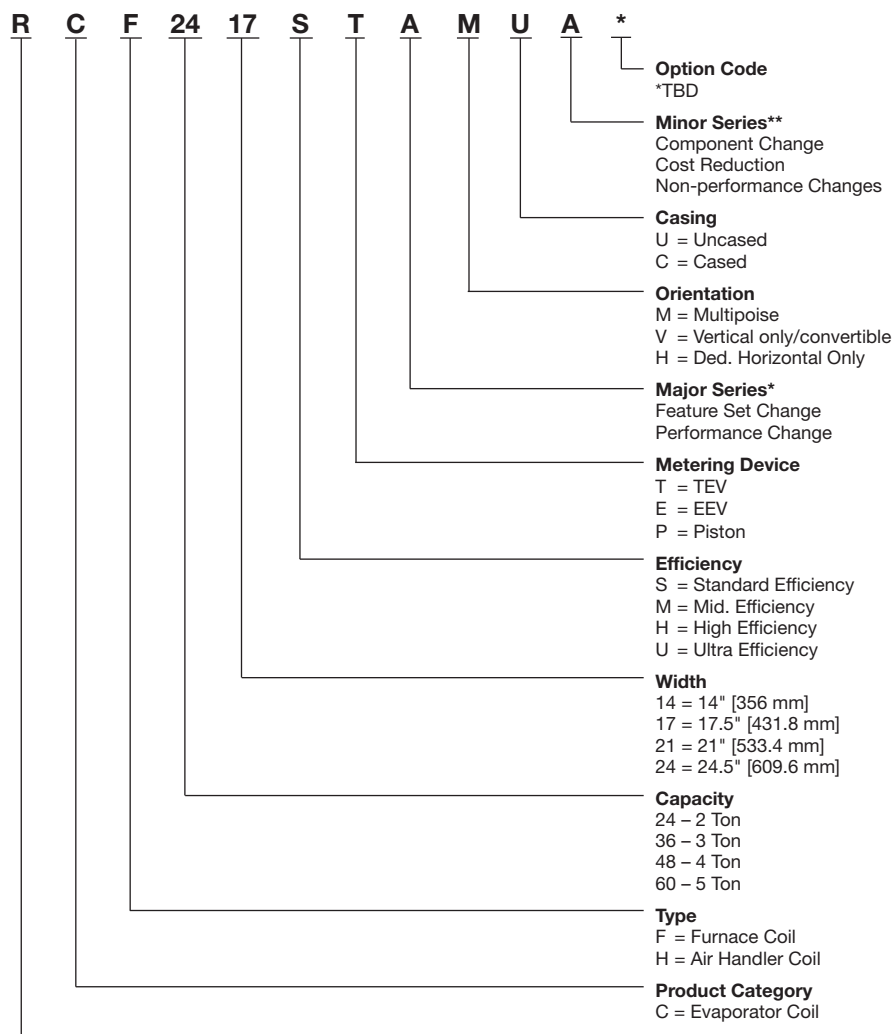


- Indoor Furnace cased coils and replacement uncased coils are designed for use with outdoor units and are available for vertical upflow or downflow, and horizontal left or horizontal right airflow. When matched with outdoor units, the coils provide a nominal capacity range from 18,000 BTU/HR [5.24 kW] to 60,000 BTU/HR [17.6 kW].
- Constructed of aluminum fins bonded to internally grooved aluminum tubing.
- Coils are tested at the factory with an extensive refrigerant leak check.
- Coils have copper sweat refrigerant connections.
- Feature two sets of 3/4" [14.1 mm] N.P.T. Condensate drain connections for ease of connection.
- Chatleff metering device connections, at inlet and outlet of TXV or EEV and equalizer connections (TXV only).
- Approved for system application with variety of outdoor units.
- Condensate drain pan is constructed of high grade, heat resistant, corrosion free thermal-set material.
- Compatible with Germicidal Light System (UV resistant)
- Bi-Directional airflow eliminates the need to switch any internal components from horizontal left to right.
- Unique drain pan design maximizes application flexibility and condensate removal.
- N-Coil design maximizes performance and minimizes height required at installation.
- Coils are AHRI certified for system application with a variety of outdoor units.

## TABLE OF CONTENTS

Model Number Identification .....	3
Coil Specifications .....	4-5
Coil Dimensions and Weights.....	6-7
Accessories .....	8-9
Limited Warranty .....	10

## Model Number Identification



[ \* ] Designates Metric Conversions

### TXV MODELS AVAILABLE

RCF2414STAMCA	RCF2414STAVUA
RCF2417STAMCA	RCF2417STAVUA
RCF2417MTAMCA	RCF2417MTAVUA
RCF2417HTAMCA	RCF2417HTAVUA
RCF2421MTAMCA	RCF2421MTAVUA
RCF2421HTAMCA	RCF2421HTAVUA
RCF3617STAMCA	RCF3617STAVUA
RCF3621STAMCA	RCF3621STAVUA
*RCF3621MTAMCA	*RCF3621MTAVUA
RCF3621HTAMCA	RCF3621HTAVUA
RCF3624MTAMCA	RCF3624MTAVUA
RCF3624HTAMCA	RCF3624HTAVUA
RCF4821STAMCA	RCF4821STAVUA
*RCF4821MTAMCA	*RCF4821MTAVUA
RCF4824STAMCA	RCF4824STAVUA
RCF4824HTAMCA	RCF4824HTAVUA
*RCF6021STAMCA	*RCF6021STAVUA
*RCF6021MTAMCA	*RCF6021MTAVUA
RCF6024STAMCA	RCF6024STAVUA
RCF6024HTAMCA	RCF6024HTAVUA

### EEV MODELS AVAILABLE

RCF2417SEAMCA	RCF2417SEAVUA
RCF2421MEAMCA	RCF2421MEAVUA
*RCF2421UEAMCA	*RCF2421UEAVUA
RCF3617SEAMCA	RCF3617SEAVUA
RCF3621MEAMCA	RCF3621MEAVUA
RCF3621SEAMCA	*RCF6021SEAVUA
*RCF6021SEAMCA	RCF6024MEAVUA
RCF6024MEAMCA	

### PISTON MODELS AVAILABLE

RCF2417SPAMCA	RCF2417SPAVUA
RCF3617SPAMCA	RCF3617SPAVUA
RCF3621SPAMCA	RCF3621SPAVUA
RCF4821SPAMCA	RCF4821SPAVUA
RCF4824SPAMCA	RCF4824SPAVUA

\*Denotes A Coil

**Table 1: Coil Specifications/Airflow Pressure Drop**

Coil Model (-)CF	Approx. Design Cooling Air Flow Range CFM [L/s]	Face Area Sq. Ft. [m <sup>2</sup> ]	Fins Per Inch / Rows Deep	Width	Nominal Capacity	Wet Coil Static Pressure Drop (Inches W.C.) [kPa] @ CFM [L/s] – (Coil Only)													
						600 [283]	700 [330]	800 [378]	900 [425]	1000 [472]	1100 [519]	1200 [566]	1300 [614]	1400 [661]	1500 [708]	1600 [755]	1700 [802]	1800 [850]	1900 [897]
RCF2414STAM	600/900 [283/425]	4.56 [0.42]	16/2	14		0.165	0.209	0.262	0.325	—	—	—	—	—	—	—	—	—	—
RCF2417STAM RCF2417SEAM	600/900 [283/425]	4.56 [0.42]	16/2	17	1.5 – 2	0.120	0.157	0.199	0.246	—	—	—	—	—	—	—	—	—	—
RCF2417MTAM	600/900 [283/425]	5.70 [0.52]	16/2		0.113	0.145	0.181	0.222	—	—	—	—	—	—	—	—	—	—	—
RCF3617STAM RCF3617SEAM	700/1300 [330/614]	5.70 [0.52]	16/2	21	2.5 – 3	0.113	0.145	0.181	0.222	0.266	0.315	0.368	—	—	—	—	—	—	—
RCF2421MTAM RCF2421MEAM	600/900 [283/425]	5.70 [0.52]	16/2		1.5 – 2	0.113	0.145	0.181	0.222	—	—	—	—	—	—	—	—	—	—
RCF2421HTAM	600/900 [283/425]	5.70 [0.52]	16/2	21	2.5 – 3	0.113	0.145	0.181	0.222	0.266	0.315	0.368	—	—	—	—	—	—	—
RCF3621STAM RCF3621SEAM	700/1300 [330/614]	5.70 [0.52]	16/2			0.113	0.145	0.181	0.222	0.266	0.315	0.368	—	—	—	—	—	—	—
RCF3621MTAM RCF3621MEAM	700/1300 [330/614]	8.55 [0.79]	16/2	21	2.5 – 3	0.062	0.086	0.112	0.140	0.170	0.202	0.236	—	—	—	—	—	—	—
RCF3621HTAM	700/1300 [330/614]	7.60 [0.70]	13/3			0.106	0.125	0.146	0.169	0.194	0.221	0.251	0.251	—	—	—	—	—	—
RCF4821MTAM	1100/1800 [519/850]	7.60 [0.70]	13/3	21	3.5 – 4	0.106	0.125	0.146	0.169	0.194	0.221	0.251	0.282	0.315	0.350	0.386	0.425	0.466	—
RCF4821STAM	1100/1800 [519/850]	8.55 [0.79]	16/2			0.062	0.086	0.112	0.140	0.170	0.202	0.236	0.272	0.309	0.349	0.391	0.434	0.480	0.527
RCF6021STAM RCF6021SEAM RCF6021MTAM RCF2421UEAM	1400/1600 [661/755]	7.60 [0.70]	13/3	24	2 – 5	0.036	0.050	0.065	0.081	0.098	0.117	0.137	0.158	0.180	0.203	0.228	0.254	—	—
RCF3624MTAM	700/1300 [330/614]	8.55 [0.79]	16/2		2.5 – 3	0.062	0.086	0.112	0.140	0.170	0.202	0.236	0.272	0.309	—	—	—	—	—
RCF3624HTAM	700/1300 [330/614]	9.98 [0.93]	14/3	24	3.5 – 4	0.036	0.050	0.065	0.081	0.098	0.117	0.137	0.158	0.180	—	—	—	—	—
RCF4824STAM	1100/1800 [519/850]	8.55 [0.79]	16/2			0.062	0.086	0.112	0.140	0.170	0.202	0.236	0.272	0.309	0.349	0.391	0.434	0.480	—
RCF4824HTAM	1100/1800 [519/850]	9.98 [0.93]	14/3	24	5	0.036	0.050	0.065	0.081	0.098	0.117	0.137	0.158	0.180	0.203	0.228	0.254	0.281	—
RCF6024STAM RCF6024MEAM	1400/1800 [661/755]	9.98 [0.93]	14/3			0.036	0.050	0.065	0.081	0.098	0.117	0.137	0.158	0.180	0.203	0.228	0.254	0.281	—
RCF6024HTAM	1400/1800 [661/755]	9.98 [0.93]	14/3			0.036	0.050	0.065	0.081	0.098	0.117	0.137	0.158	0.180	0.203	0.228	0.254	0.281	—

**Important Note:** Gas furnace heating CFM can exceed the design cooling CFM. Ductwork and coil selection must accommodate the higher of the cooling or gas heating CFM to prevent furnace limit tripping, excessive noise, and coil freeze-up.

[ ] Designates Metric Conversions

**Table 1: Coil Specifications/Airflow Pressure Drop (con't.)**

Coil Model (-)CF	Approx. Design Heating Air Flow Range CFM [L/s]	Face Area Sq. Ft. [m <sup>2</sup> ]	Fins Per Inch / Rows Deep	Width	Nominal Capacity	Dry Coil Static Pressure Drop (Inches W.C.) [kPa] @ CFM [L/s] – (Coil-Only)														
						600 [283]	700 [330]	800 [378]	900 [425]	1000 [472]	1100 [519]	1200 [566]	1300 [614]	1400 [661]	1500 [708]	1600 [755]	1700 [802]	1800 [850]	1900 [897]	
RCF2414STAM	600/1600 [283/755]	4.56 [0.42]	16/2	14	1.5 – 2	0.118	0.118	0.145	0.176	0.210	0.247	0.288	0.332	0.379	0.429	0.483	—	—	—	
RCF2417STAM RCF2417SEAM	600/1500 [283/707]	4.56 [0.42]	16/2	17		0.116	0.116	0.151	0.190	0.235	0.284	0.338	0.397	0.461	0.530	—	—	—	—	
RCF2417MTAM	600/1600 [283/755]	5.70 [0.52]	16/2			0.101	0.101	0.129	0.161	0.196	0.235	0.277	0.323	0.373	0.425	0.482	—	—	—	—
RCF3617STAM RCF3617SEAM	600/1600 [283/755]	5.70 [0.52]	16/2		2.5 – 3	0.101	0.101	0.129	0.161	0.196	0.235	0.277	0.323	0.373	0.425	0.482	—	—	—	
RCF2421MTAM	600/1600 [283/755]	5.70 [0.52]	16/2	21	1.5 – 2	0.101	0.101	0.129	0.161	0.196	0.235	0.277	0.323	0.373	0.425	0.482	—	—	—	
RCF2422HTAM RCF2421MEAM	600/1600 [283/755]	5.70 [0.52]	16/2			0.101	0.101	0.129	0.161	0.196	0.235	0.277	0.323	0.373	0.425	0.482	—	—	—	
RCF3621STAM RCF3621SEAM	600/1600 [283/755]	5.70 [0.52]	16/2		2.5 – 3	0.101	0.101	0.129	0.161	0.196	0.235	0.277	0.323	0.373	0.425	0.482	—	—	—	
RCF3621MTAM	600/1900 [283/896]	8.55 [0.79]	16/2			0.039	0.039	0.056	0.075	0.095	0.117	0.141	0.166	0.193	0.222	0.252	0.284	0.318	0.353	
RCF3621HTAM RCF3621MEAM	600/1900 [283/896]	7.60 [0.70]	13/3		3.5 – 4	0.043	0.043	0.053	0.066	0.080	0.096	0.115	0.135	0.158	0.182	0.208	0.237	0.267	0.299	
RCF4821MTAM	600/1900 [283/896]	7.60 [0.70]	13/3			0.043	0.043	0.053	0.066	0.080	0.096	0.115	0.135	0.158	0.182	0.208	0.237	0.267	0.299	
RCF4821STAM	600/1900 [283/896]	8.55 [0.79]	16/2		2 – 5	0.039	0.039	0.056	0.075	0.095	0.117	0.141	0.166	0.193	0.222	0.252	0.284	0.318	0.353	
RCF6021STAM RCF6021SEAM RCF6021MTAM RCF2421UEAM	600/1900 [283/896]	7.60 [0.70]	13/3			0.080	0.080	0.092	0.106	0.121	0.136	0.153	0.171	0.190	0.211	0.232	0.254	0.278	0.302	
RCF3624MTAM	600/1900 [283/896]	8.55 [0.79]	16/2			2.5 – 3	0.039	0.039	0.056	0.075	0.095	0.117	0.141	0.166	0.193	0.222	0.252	0.284	0.318	0.353
RCF3624HTAM	600/1900 [283/896]	9.98 [0.93]	14/3		0.023		0.023	0.038	0.055	0.074	0.095	0.119	0.144	0.171	0.200	0.231	0.264	0.300	0.337	
RCF4824STAM	600/1900 [283/896]	8.55 [0.79]	16/2	3.5 – 4	0.039	0.039	0.056	0.075	0.095	0.117	0.141	0.166	0.193	0.222	0.252	0.284	0.318	0.353		
RCF4824HTAM	600/1900 [283/896]	9.98 [0.93]	14/3		0.023	0.023	0.038	0.055	0.074	0.095	0.119	0.144	0.171	0.200	0.231	0.264	0.300	0.337		
RCF6024STAM RCF6024MEAM	600/1900 [283/896]	9.98 [0.93]	14/3		5	0.023	0.023	0.038	0.055	0.074	0.095	0.119	0.144	0.171	0.200	0.231	0.264	0.300	0.337	
RCF6024HTAM	600/1900 [283/896]	9.98 [0.93]	14/3	0.023		0.023	0.038	0.055	0.074	0.095	0.119	0.144	0.171	0.200	0.231	0.264	0.300	0.337		

**Important Note:** Gas furnace heating CFM can exceed the design cooling CFM. Ductwork and coil selection must accommodate the higher of the cooling or gas heating CFM to prevent furnace limit tripping, excessive noise, and coil freeze-up.

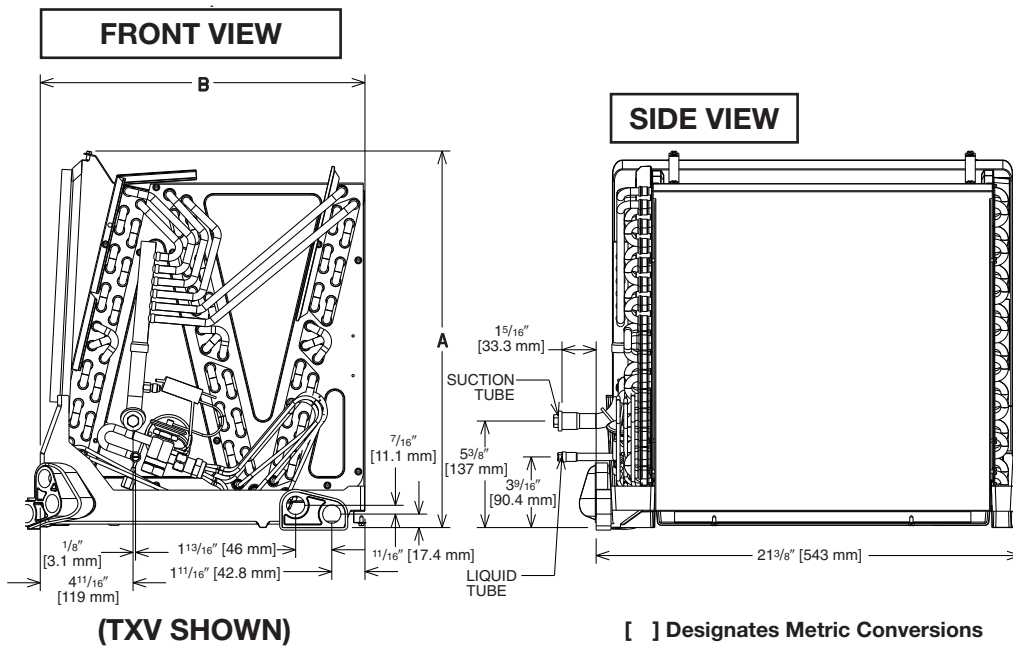
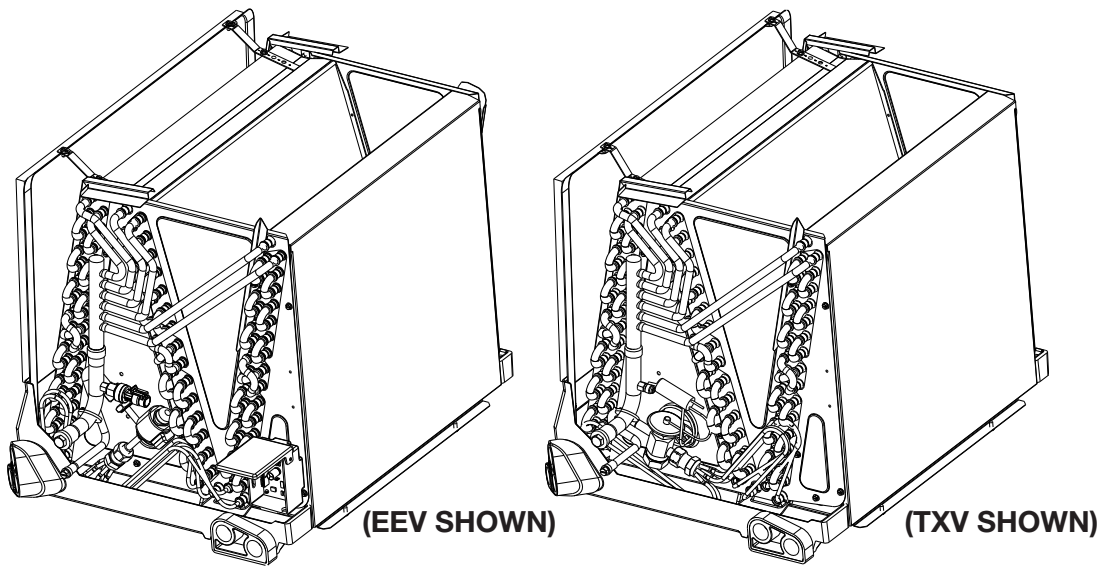
[ ] Designates Metric Conversions

**Table 2: Uncased Coil Dimensions and Weights**

Coil Model RCF	Connections		Uncased Coil Dimensions (in) [mm]		Weight	
	Sweat (in.) [mm]		A	B	Coil Weight (lbs.) [Kg.]	Shipping Weight (lbs.) [Kg.]
	Liquid	Suction				
	I.D.	I.D.				
2414ST	3/8 [9.53]	3/4 [19.05]	21 3/4 [552]	127/8 [327]	43 [19]	47 [21]
2417SP/2417ST/2417SE	3/8 [9.53]	3/4 [19.05]	15 3/8 [390]	16 3/8 [416]	43 [19]	48 [22]
2417MT/2417HT/3617ST/3617SP/3617SE	3/8 [9.53]	3/4 [19.05]	18 3/4 [476]	16 3/8 [416]	49 [22]	54 [24]
2421MT/2421HT/3621ST/3621SP/2421ME/3621SE	3/8 [9.53]	3/4 [19.05]	18 3/4 [476]	19 7/8 [505]	51 [23]	60 [27]
3621MT/4821ST/4821SP/3621ME	3/8 [9.53]	7/8 [22.23]	26 5/8 [676]	19 7/8 [505]	71 [32]	78 [35]
2421UE/3621HT/4821MT/6021ST/6021SE/6021MT	3/8 [9.53]	7/8 [22.23]	33 [838]	19 7/8 [505]	76 [34]	86 [39]
3624MT/4824ST/4824ST	3/8 [9.53]	3/4 [19.05]	26 11/16 [678]	23 3/8 [594]	83 [37]	93 [42]
3624HT/4824HT/6024ST/6024HT/6024ME	3/8 [9.53]	7/8 [22.23]	30 15/16 [786]	23 3/8 [594]	100 [45]	108 [48]

\*The 14 inch, 2 ton RCF coil (2414) is part of the "N-Coil" design series, even though the coil shape resembles an "A" coil design.

**FIGURE 1: DIMENSIONS UNCASD**



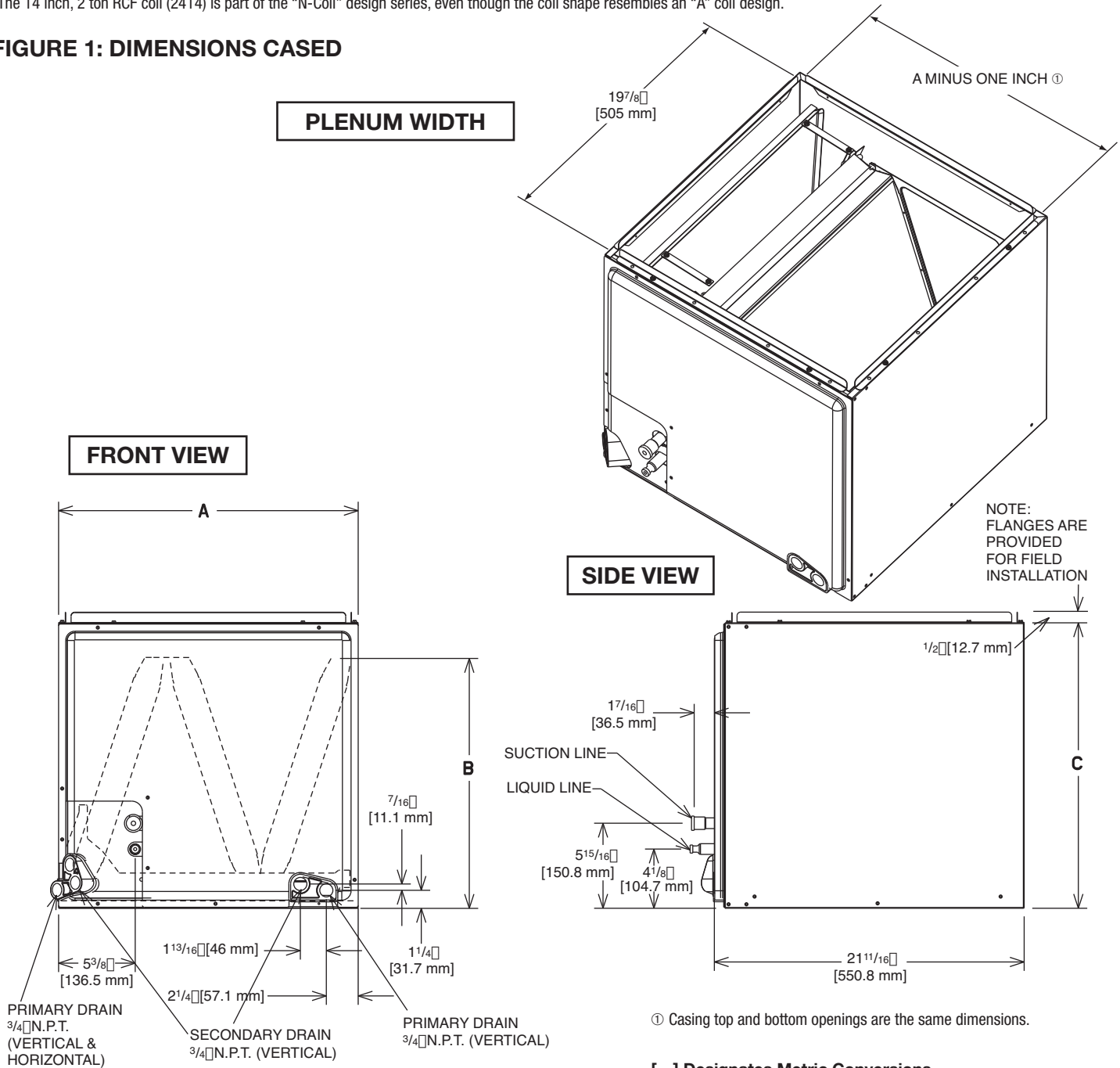


**Table 3: Cased Coil Dimensions and Weights**

Coil Model RCF	Connections		Cased Coil Dimensions (in) [mm]			Weight	
	Sweat (in.) [mm]		A	B	C	Coil Weight (lbs.) [Kg.]	Shipping Weight (lbs.) [Kg.]
	Liquid	Suction					
	I.D.	I.D.					
2414ST	3/8 [9.53]	3/4 [19.05]	14 [356]	21 [533]	23 <sup>3</sup> / <sub>16</sub> [584]	43 [19]	47 [21]
2417SP/2417ST/2417SE	3/8 [9.53]	3/4 [19.05]	17 <sup>1</sup> / <sub>2</sub> [445]	14 <sup>1</sup> / <sub>2</sub> [368]	20 [508]	43 [19]	48 [22]
2417MT/2417HT/3617ST/3617SP/3617SE	3/8 [9.53]	3/4 [19.05]	17 <sup>1</sup> / <sub>2</sub> [445]	17 <sup>7</sup> / <sub>8</sub> [454]	20 [508]	49 [22]	54 [24]
2421MT/2421HT/3621ST/3621SP/2421ME/3621SE	3/8 [9.53]	3/4 [19.05]	21 [533]	17 <sup>1</sup> / <sub>2</sub> [445]	20 [508]	51 [23]	60 [27]
3621MT/4821ST/4821SP/3621ME	3/8 [9.53]	7/8 [22.23]	21 [533]	25 <sup>7</sup> / <sub>8</sub> [657]	28 [711]	71 [32]	78 [35]
2421UE/3621HT/4821MT/6021ST/6021SE/6021MT	3/8 [9.53]	7/8 [22.23]	21 [533]	32 [813]	34 <sup>1</sup> / <sub>2</sub> [876]	76 [34]	86 [39]
3624MT/4824ST/4824ST	3/8 [9.53]	3/4 [19.05]	24 <sup>1</sup> / <sub>2</sub> [622]	25 <sup>3</sup> / <sub>8</sub> [645]	32 <sup>1</sup> / <sub>2</sub> [826]	83 [37]	93 [42]
3624HT/4824HT/6024ST/6024HT/6024ME	3/8 [9.53]	3/4 [19.05]	24 <sup>1</sup> / <sub>2</sub> [622]	30 <sup>1</sup> / <sub>4</sub> [768]	32 <sup>1</sup> / <sub>2</sub> [826]	100 [45]	108 [48]

\*The 14 inch, 2 ton RCF coil (2414) is part of the "N-Coil" design series, even though the coil shape resembles an "A" coil design.

**FIGURE 1: DIMENSIONS CASED**



## Table 4: Coil Application

Coils can be matched to heating products as listed in table below.

Coil Model RCF	Furnace Width (In.) (mm)	
	Oil	Gas
2414ST 2417ST/2417SE 2417HT/2417MT 3617ST/3617SE	—	14 [356]
2417ST/2417SE 2417MT/2417HT/2417SP 3617ST/3617SP/3617SE	17½ [431]	17½ [444] 14 [356]
2421MT/2421HT/2421ME/2421UE 3621ST/3621SP/3621MT/3621ME/3621SE 4821ST/4821SP/6021ST/6021SE/6021MT	21 [533]	21 [533] 17½ [444]
3624MT/3624HT 4824ST/4824HT/4824SP 6024ST/6024HT/6024ME	24½ [622]	24½ [622] 21 [533]

## Accessories

### • PLENUM ADAPTER ACCESSORY RXBA-AE

This plenum adapter accessory is for use with the 24½" wide cased indoor cooling and heat pump coils. This allows a 24½" wide cased coil to be installed on a 28" wide oil furnace. This is a field-installed accessory only.

### • RXBA-AC (Upflow/Horizontal)

These plenum adapter accessories are for use when a cooling coil is matched with a gas furnace of one smaller size.

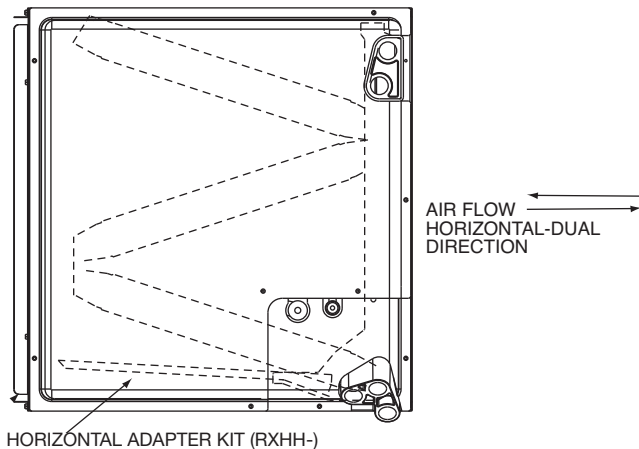
### • HORIZONTAL ADAPTER KIT RXHH (See Figure 2)

This horizontal adapter kit is used to convert a upflow or downflow coil (\*VUA) for a horizontal application. See Table 4 to order the proper horizontal adapter kit.

Table 4: Horizontal Adapter Kit Model No.

Coil Model	Horizontal Adapter Kit Model No.
2414S	RXHH-A01
2417S	RXHH-A02
2417M/2421M/3617S/ 3621S/2421H	RXHH-A03
3621M/3624M/ 4821S/4824S	RXHH-A04
3624H/4824H/ 6024S/6024H	RXHH-A05
2421U/3621H/4821M/ 6021S/6021M	RXHH-A06

FIGURE 2: HORIZONTAL ADAPTER KIT ILLUSTRATION



### • INDOOR COIL CASING- RXBC (See Table 5)

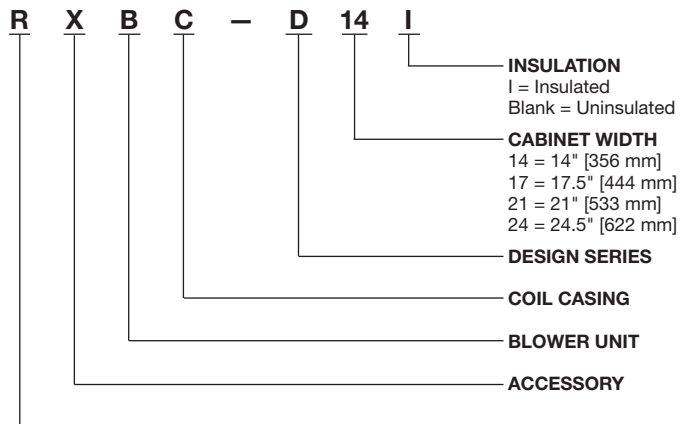


Table 5: Unit Dimensions and Weights- RXBC Indoor Coil Casings

Model Number	Width (in.) [mm]	Height (in.) [mm]	Depth (in.) [mm]	Unit Weight		Supply Air/Return Air Openings	
				Weight (lbs.) [Kg.]	Ship. Wt. (lbs.) [Kg.]	Width (in.) [mm]	Depth (in.) [mm]
RXBC-D14AI	14 [356]	23 <sup>9</sup> / <sub>16</sub> [589]	21 <sup>5</sup> / <sub>8</sub> [549]	19 [9]	23 [10]	13 [330]	19 <sup>31</sup> / <sub>32</sub> [508]
RXBC-D17AI	17½ [445]	20 [508]		18 [8]	23 [10]	16½ [419]	
RXBC-D21AI	21 [533]	20 [508]		20 [9]	26 [12]	20 [508]	
RXBC-D21BI	21 [533]	28 [711]		27 [12]	36 [17]	20 [508]	
RXBC-D24AI	24½ [622]	32½ [826]		34 [16]	44 [20]	23½ [597]	

Table 6: Uncased Coil Adapter Kit

Uncased Coil Adapter Model Number RXBA	A Width (in.) [mm]	Uncased Coil Model RCFP
B14x20	13 <sup>1</sup> / <sub>8</sub> [333]	-HUxx14
B17x20	16 <sup>5</sup> / <sub>8</sub> [422]	-HUxx17
B21x20	20 <sup>1</sup> / <sub>8</sub> [511]	-HUxx21
B24x20	23 <sup>5</sup> / <sub>8</sub> [599]	-HUxx24

[ ] Designates Metric Conversions



## Accessories (cont.)

### • UNCASSED COIL ADAPTER KIT RXBA- (See Figure 3 & 4)

This uncased coil adapter kit is used to adapt the coil to a furnace or ductwork. See Table 6 to order the proper adapter kit. Each kit contains a quantity of 20 adapters.

FIGURE 3: UNCASSED COIL ADAPTER KIT ILLUSTRATION

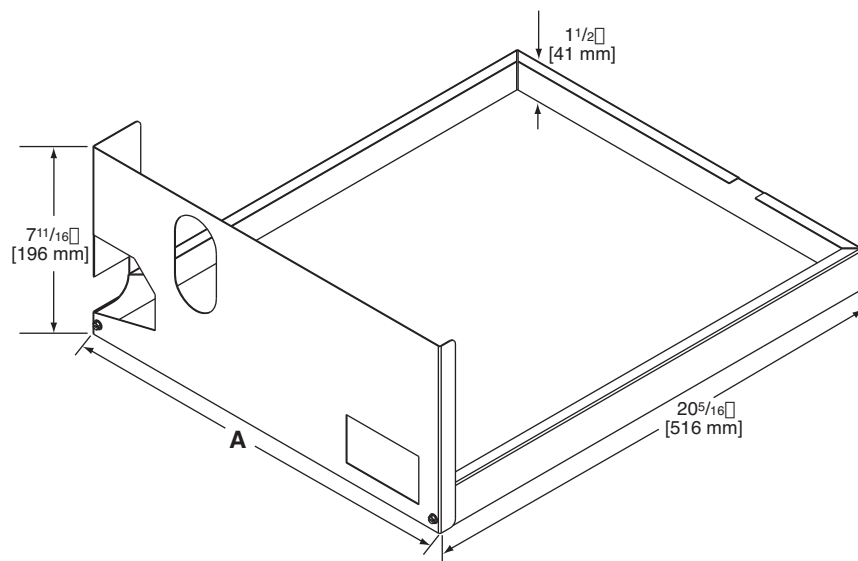
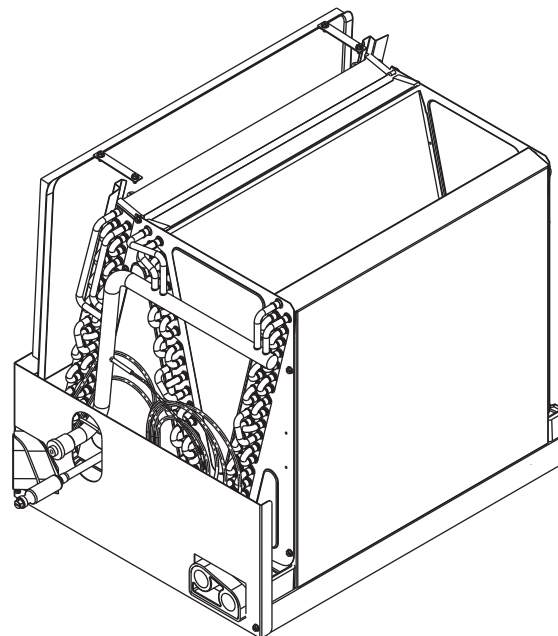


FIGURE 4: UNCASSED COIL ADAPTER KIT ASSEMBLED



Note: Sliding the coil into the coil rail before attaching coil rack front.

[ ] Designates Metric Conversions

## R-22 TXV Conversion Kits

To be used to convert R410-A coil to operate with R-22

FURNACE COIL CROSS REFERENCE CHART		
ORIGINAL COIL	RECOMMENDED ALUMINUM TUBE REPLACEMENT COIL	R-22 TXV CONVERSION KIT MODEL NO.
RCFA-**2414	RCF2414STAT	RXCT-HBA
RCFA-**2417	RCF2417STA	RXCT-HBA
RCFA-**3617	RCF3617STA, RCF2417MTA, or RCF2417HTA	RXCT-HBB
RCFA-**3621	RCF3621STA, RCF2417MTA, or RCF2421HTA	RXCT-HBB
RCFA-**4821	RCF4821STA or RCF3621MTA	RXCT-HBC
RCFA-**4824	RCF4824STA or RCF3624MTA	RXCT-HBC
RCFA-**6024	RCF6024STA, RCF6024HTA, RCF4824HTA, or RCF3624HTA	RXCT-HBD

\*\*= AU, HM, or HU

## GENERAL TERMS OF LIMITED WARRANTY\*

Manufacturer will furnish a replacement for any part of this product which fails in normal use and service within the applicable periods stated, in accordance with the terms of the limited warranty.

Parts.....Five (5) Years

\*For complete details of the Limited and Conditional Warranties, including applicable terms and conditions, contact your local contractor or the Manufacturer for a copy of the product warranty certificate.